

# TRAIL

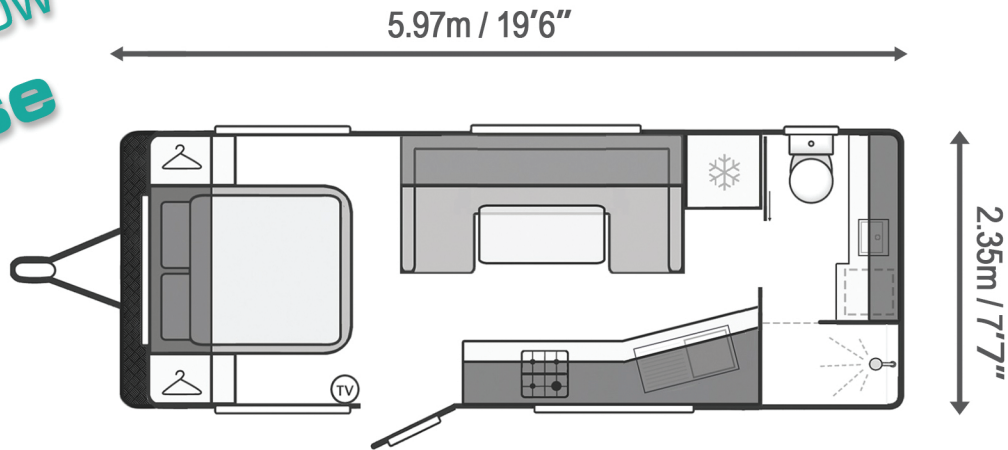
## 19ft6 Platinum X-TREME

OFF-GRID



TRAIL  
CARAVANS

**NEW**  
Brisbane Show  
Release



### WEIGHTS\*

Off-road

TARE 2700kg

ATM upto 3500kg

### BERTHS



### FEATURES

Full Aluminium Frame  
600A Lithium Batteries  
Disc Brakes  
840W Solar Panels  
DC/DC Enerdrive Charger  
2600W Enerdrive Inverter

Stage 4 Airbag

CaraFan DRS

274L Compressor Fridge

Ziggy Slideout Kitchen

Diesel Heater

\* Weights and Dimensions are indicative only and may vary.

### CHASSIS

- 6" 150mm Chassis
- 16" Alloy Rims & Offroad Tyres
- Full Independent Suspension
- ALKO or DO35 3.5t Offroad Hitch
- Disc Brakes
- Stage 4 Airbag Suspension
- Spare Tyre on Rear Bumper Bar
- 8" Jockey Wheel
- Quick Release Drop Down Stabilisers
- Water Tap on front A-Frame
- Battery Box
- External BBQ Point under Tunnel Boot

### INTERIOR

- Cabinetry with Piano Hinges throughout
- Stylish Splashback
- Black Sinks and Tapware
- Movable Push Down Table
- UV stable Automotive Leather Seating
- Caravan Queen Size Inner Spring Mattress
- Extendable Gas Strut Lift-up Bed Base
- Block-out Blinds
- Flyscreens

### EXTERIOR

- Aluminium Composite
- Full Wall & Roof Insulation
- Black Alloy Checkerplate
- Large Double Glazed European Style Windows
- Entry Door with Security Screen
- All around LEDs for Free Camping
- Skylight Roof Hatch
- Full Length Rollout Awning
- Drop Down Picnic Table
- External Waterproof Speakers
- Entry Grab Handle with LED Light
- Large Front Cross-Van Tunnel Boot with LED Light
- External Hot / Cold Shower

### SAFETY FEATURES

- Fire Extinguisher
- Smoke Alarm
- Brake Away System
- Reversing Camera

### EQUIPMENT

- 24" TV
- Air conditioning Reverse Cycle
- 240 V / 12 V / USB Outlets
- 12 V Fans
- Gas/Electric Hot Water System
- Gas/Electric Hob & Grill
- 12 V Range Hood
- Microwave
- Bluetooth Radio
- Double Power Points
- LED Lighting throughout
- External 240 V, TV & 12 V Outlets
- Water Level Indicator
- 12 V Water Pump System with City Water Connection
- 2 x 95L Water Tanks
- 95L Capacity Grey Water Tank
- 2 x 9 kg Gas Bottles on the A-Frame
- Multi-Stage Battery Charger
- Washing Machine



Ask one of our friendly staff for our Optional Extras or visit

[www.TRILRV.com.au](http://www.TRILRV.com.au)

Brochure is a guide ONLY - Brands and equipment subject to change.